



Contents

00 - Technical data	1
1 Technical data	1
1.1 Front wheel brake - FS II	1
1.2 Rear wheel brake	3
1.3 Specifications	3
45 - Anti-lock brake system	5
1 General information on the anti-lock braking system (ABS)	5
2 Information on repair works on the ABS	6
3 Connect Vehicle diagnostic, testing and information system VAS 5051A /52 and select functions	8
4 Electrical/electronic components and installing locations	9
4.1 ABS Bosch	9
5 Hydraulic unit, servo brake/master cylinder - Bosch ABS assembly overview of assembly	11
5.1 Hydraulic unit connections	13
5.2 Command unit for hydraulic unit - remove and install	14
6 Fault indication via control lights	20
7 ABS system components on the front and rear axles - remove and install	22
7.1 Remove and install the ABS system components from the front axle	22
7.2 Bosch front speed sensor cables - remove and install	23
7.3 ABS system components on the front axle - remove and install	29
8 Rear rotor - remove and install	35
8.1 Removal	35
8.2 Installation	36
46 - Brakes - mechanism	37
1 Front wheel brake disk - repair	37
1.1 FS II Disc brake cylinder - repair	37
1.2 Brake pads, FS II brake calipers - remove and install	38
1.3 FS II brake caliper - remove and install	40
1.4 Brake disc - remove and install	42
1.5 Brake disk (knocking) - check	43
1.6 Brake disc - check	44
2 Rear wheel drum brake - repair	48
2.1 Rear wheel brake - remove and install	48
2.2 Brake drum - repair	50
2.3 Brake shoes - remove and install	51
2.4 Brake shoes (only Saveiro from 2010) - remove and install	54
3 Handbrake - assembly overview	57
3.1 Handbrake lever - remove and install	58
4 Handbrake cable - repair	59
4.1 Handbrake cable - assembly overview	59
4.2 Handbrake cable - remove and install	59
4.3 Handbrake - adjust	62
4.4 Handbrake switch - remove and install	63
5 Brake pedal - assembly overview	65
5.1 Servo brake pedal - separate	65
5.2 Pedal set - remove and install	66
5.3 Brake pedal - remove and install	67
5.4 Brake pedal switch F47 - remove and install	68



47 - Brakes - hydraulics	70
1 FS II front brake caliper - repair	70
1.1 Plunger for front brake caliper - remove and install	71
2 Vehicles without braking power adjustment - assembly overview	73
3 Vehicles without braking power adjustment - general overview of assembly	74
3.1 Braking power adjustment - adjust	75
3.2 Braking power adjustment - check	75
4 Bleed the brake system	77
4.1 Bleed the brake system with the filling and bleeding equipment	77
4.2 Brake system, (vehicles with ABS) - bleed when the tank is empty	78
5 Assembly overview: Brake servo/brake master cylinder	80
5.1 Flexible vacuum tube.	81
6 Brake cylinder - remove and install	82
6.1 Vehicles with/without ABS	82
7 Brake servo - remove and install	84
7.1 Removal	85
7.2 Installation	86

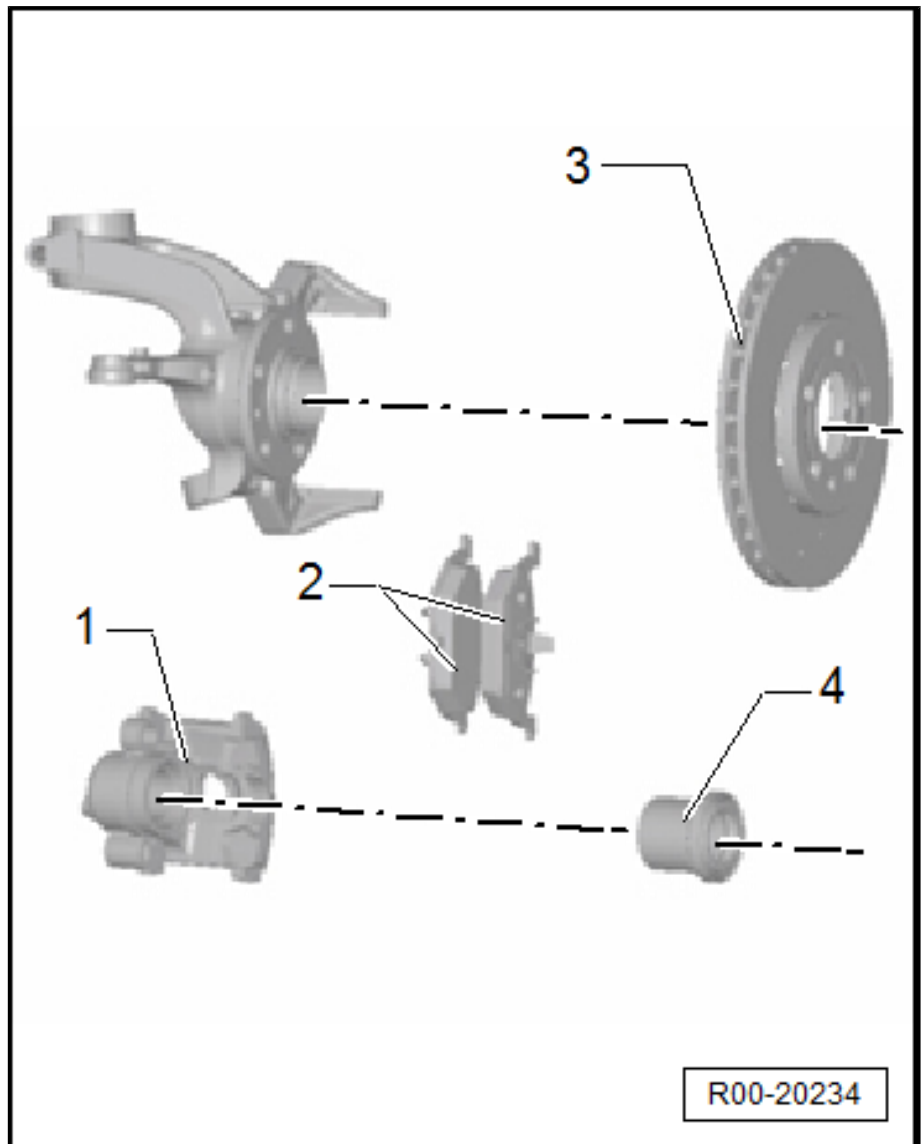


00 – Technical data

1 Technical data

(VRL005076; Edition 08.2012)

1.1 Front wheel brake - FS II



Gol and Voyage

Identification		(without power steering)	(with power steering) (with air conditioning)
Brake master cylinder	∅ mm	20.64	
Brake servo	∅ in	(With ABS 8.5") (Without ABS 9")	
1 Brake caliper		FS II (13")	FS II (14")



Identification			(without power steering)	(with power steering) (with air conditioning)
2	Brake pad, thickness	mm	17 ¹⁾	
3	Brake disc, diameter	∅ mm	239	256
	Brake disc, thickness	mm	18	
4	Brake caliper, plunger	∅ mm	48	

1) Total thickness, with rear plate.

Saveiro

Identification		without ABS	with ABS
Brake master cylinder	∅ mm	20.64	19,05
Brake servo	∅ in	(With ABS 8.5") (Without ABS 9")	
1	Brake caliper	FS II (14")	
2	Brake pad, thickness	mm	17 ²⁾
3	Brake disc, diameter	∅ mm	256
	Brake disc, thickness	mm	18
4	Brake caliper, plunger	∅ mm	48

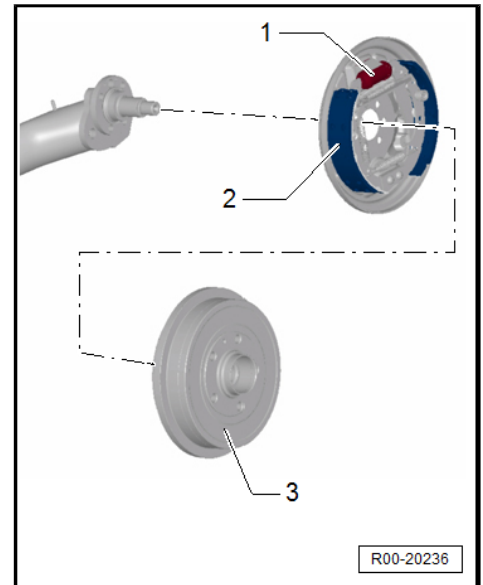
2) Total thickness, with rear plate.



1.2 Rear wheel brake

Gol and Voyage

Identification		(without power steering)	ABS	(with power steering)
Brake master cylinder	∅ mm	20.64		
Brake servo	∅ in	(With ABS 8.5") (Without ABS 9")		
1 Wheel brake cylinder, diameter	∅ mm	15	17.46	14.29
2 Brake shoe, thickness	mm	5		
Brake shoe, width	mm	30	40	
3 Brake drum	∅ mm	180	200	



Saveiro

Identification		without ABS	with ABS
Brake master cylinder	∅ mm	20.64	19.05
Brake servo	∅ in	(With ABS 8.5") (Without ABS 9")	
1 Wheel brake cylinder, diameter	∅ mm	20.64	19.05
2 Brake shoe, thickness	mm	5,5	
Brake shoe, width	mm	32	
3 Brake drum	∅ mm	230	

1.3 Specifications

Gol and Voyage

Specifications			
		New disc thickness	Minimal thickness
Disc brake	Front	Check ⇒ page 44	
		New drum inner diameter	Wear limit
Drum brake	Rear	180 mm	181 mm
		200 mm	201 mm



Specifications			
		New pad thick- ness	Minimal thickness
Brake pads	Front	17 mm ³⁾	7 mm ³⁾
		New lining thick- ness	Minimal thickness
Brake shoe (Lining)	Rear	5 mm	Height of fasten- ing rivet

Saveiro

Specifications			
		New disc thick- ness	Minimal thickness
Disc brake	Front	Check ⇒ page 44	
		New drum inner diameter	Wear limit
Drum brake	Rear	230 mm	231.5 mm
		New pad thick- ness	Minimal thickness
Brake pads	Front	17 mm ³⁾	7 mm ³⁾
		New lining thick- ness	Minimal thickness
Brake shoe (Lining)	Rear	5 mm	Height of fasten- ing rivet

3) Total thickness, with rear plate.



45 – Anti-lock brake system

1 General information on the anti-lock braking system (ABS)

The ABS brake system (Bosch 8.2) is arranged diagonally. The braking power amplification is carried out pneumatically through the vacuum brake servo.



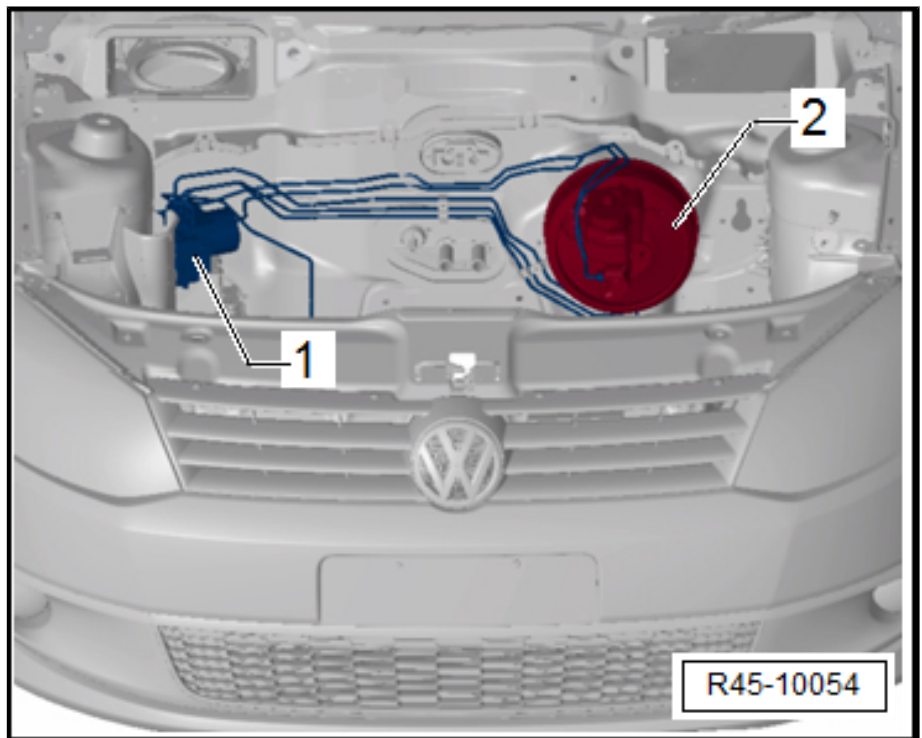
Note

Failures in the ABS do not influence the brake system and the brake servo. The regular brake system remains functional, even without the ABS. Changes in brake behavior are expected. After the ABS control light lights up, the rear wheels may lock early!

ABS location:

1 - Hydraulic system unit and ABS command device

2 - Brake servo



ABS Bosch 8.2:

Command device -1- and hydraulic system unit -2- constitute a unit. In case of damage, replace both the command device and hydraulic system unit. Do not separate hydraulic pump -3- from the hydraulic system unit.

Command device and hydraulic system unit ⇒ [page 14](#) .

